

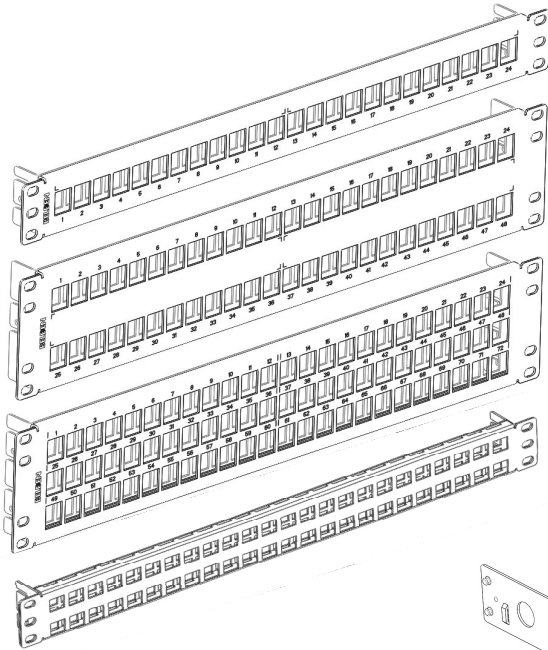
# Installation Guide

## KeyConnect Patch Panel

Mounting on 19" racks

Doc # PX104691 Release C

1 of 2 pages



24-PORT / 1U

48-PORT / 2U

72-PORT / 2U

48-PORT / 1U

### Reference Documents Installation Guide

PX103329 - GigaFlex Module  
PX103771 - 10GX Module

### Belden Tools

AX101852 - Termination Station  
AX100749 - GigaFlex connecting tool

### Standard Tools

-Phillips screwdriver  
-Cable stripper

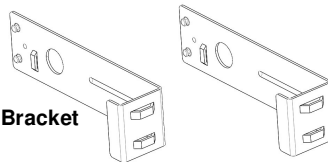
### LabelFlex™ Software : AX101569

printing instruction is available in the «Information Center» of BELDEN web site – [www.belden.com](http://www.belden.com)

### LabelFlex™ Sheet Qty: 1

Ordering no.

- AX103275 Patch-Panel AX103121 only
- AX102299 All other types of Patch-Panel



### Rear Cable Management Bracket

– Qty: 2 / Patch Panel

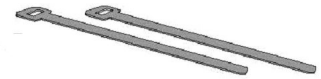
– Qty: 4 / Patch Panel for 72P/2U



Part #	Description	
AX103114	KeyConnect PP 24 PORT / 1U,Black	EMPTY visit <a href="http://www.belden.com">www.belden.com</a> for Keystone Style Modular Jack selection
AX103115	KeyConnect PP 48 PORT / 2U, Black	
AX103116	KeyConnect PP 72 PORT / 2U, Black	
AX103121	KeyConnect PP 48 PORT / 1U, Black	
AX103253	CAT6+ KeyConnect PP 24 PORT / 1U, Black	LOADED
AX103255	CAT6+ KeyConnect PP 48 PORT / 2U, Black	
AX103254	10GX KeyConnect PP 24 PORT / 1U, Titanium	
AX103256	10GX KeyConnect PP 48 PORT / 2U, Titanium	
AX104013	CAT5E Keyconnect PP 24 PORT / 1U, Black	
AX104014	CAT5E Keyconnect PP 48 PORT / 2U, Black	
AX104141	10GX Keyconnect Coupler PP 24 PORT / 1U, Titanium	
AX104142	10GX Keyconnect Coupler PP 48 PORT / 2U, Titanium	

### Velcro® Ties

- Qty: 2 / Patch Panel
- Qty: 4 / Patch Panel for 72P/2U

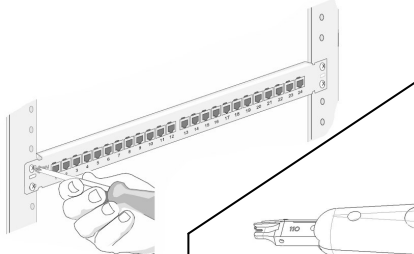


### Machine Screws:

- 10 x 32 Qty: 4
- 12 x 24 Qty: 4



**1.** Using the appropriate screws, attach the Patch Panel into the rack.



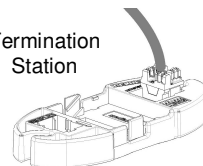
**2. (not applicable for Coupler PP)**

Jack could be terminated directly in the Patch Panel or in the Termination Station with the GigaFlex Connecting Tool (components supplied separately).

-Refer to Jack Installation Guide.

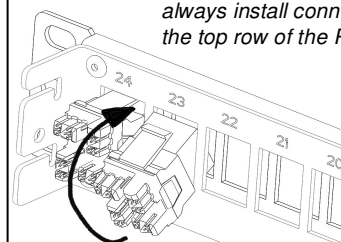


Termination Station

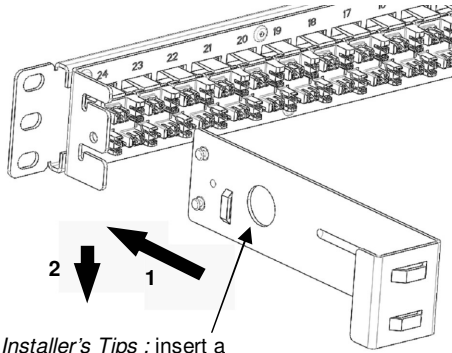


**3.** To insert a Jack in a Patch Panel engage the bottom of the jack in the opening and pivot the top latch as shown.

*Installer's Tips for AX103121 48Port/1U :*  
always install connectors first on the top row of the Patch Panel

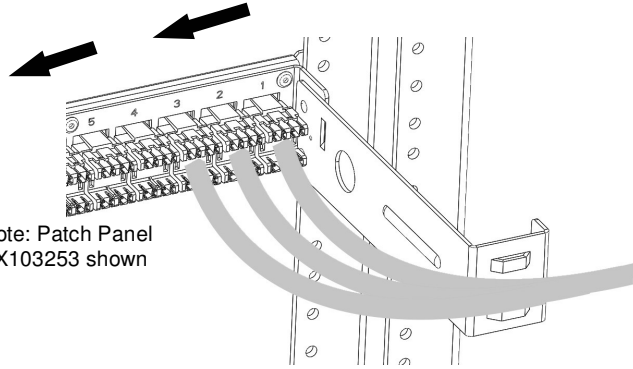


**4.** Rear Cable Management Bracket installation.

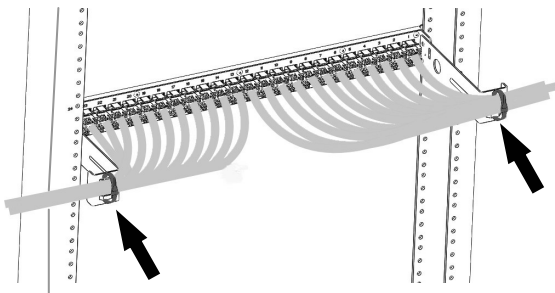


*Installer's Tips* : insert a screw driver in the hole to remove the bracket

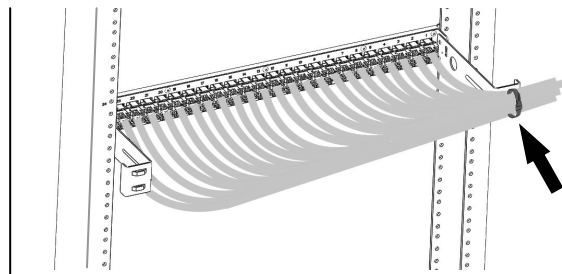
**5.** Continue assembling cables in this sequence method with the Cable Management Bracket initially installed to get the appropriate length for each cables . The bracket could be removed after to ease the installation.



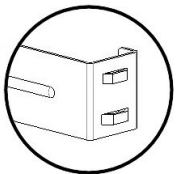
**6.** Secure cables over the brackets with Velcro® Ties provided in the kit.



**BI-DIRECTIONAL CABLE ROUTING**



**UNI-DIRECTIONAL CABLE ROUTING**



Attach the Velcro® Ties on the bridge of the rear bracket.

**7.** Label installation : affix label using positioning marks as a guide

